

## DATA SHEET — 2 AND 3 WAY VALVES TO SUIT 40mm (1½in) AND 50mm (2in) PVC PRESSURE PIPE SYSTEMS

### INTRODUCTION

The valve has been designed for the swimming pool industry and farm irrigation systems using ridges PVC or ABS pressure pipe. Careful attention to the requirements of such a valve has resulted in the following important features.

1. A robust rust free ABS body with G F noryl internals. All metal parts are in stainless steel.
2. All ports except 40mm pressure pipe I.D. and 50mm fittings O.D.
3. The internal design allows for an uninterrupted water flow when the valve is fully open. Nothing to catch leaves etc to create a blockage.
4. The easily used locking handle allows positive opening and closing.
5. A "CAUTION STOP PUMP" tab is supplied for use when the 3 way valve is in line with the pump. It serves to remind the user to stop the pump before closing that port and possibly starving the pump of water. It also allows the valve to be fully functional and act as an isolating valve during pump servicing.
6. Servicing is simple — using the correct screwdriver all seals can be changed in the field.

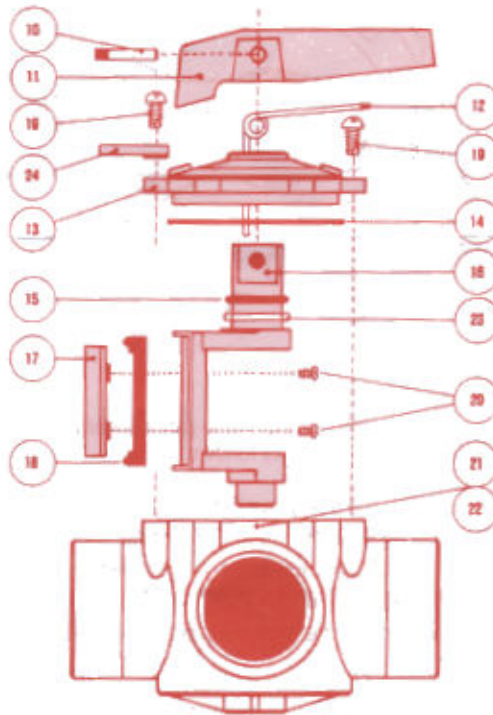


DIAGRAM No.	PART No.	PART DESCRIPTION	No. PER VALVE
10	T 1202	Handle retaining pin	1
11	T 1203 A	Handle	1
12	T 1204	Handle spring*	1
13	T 1205 A	Valve Lid*	1
14	T 1206	Body 'O' ring	1
15	T 1207	Change plate 'O' ring	1
16	T 1208	Change plate	1
17	T 1209	Seal retainer	1
18	T 1210	Seal	1
19	T 1211	Lid screws	8
20	T 1212	Seal retainer screws	2
21	T 1213	2 way valve body	1
22	T 1214	3 way valve body	1
23	T 1215	Teflon washer	1
24	T 1216	Pump warning tab	1

## INSTALLATION

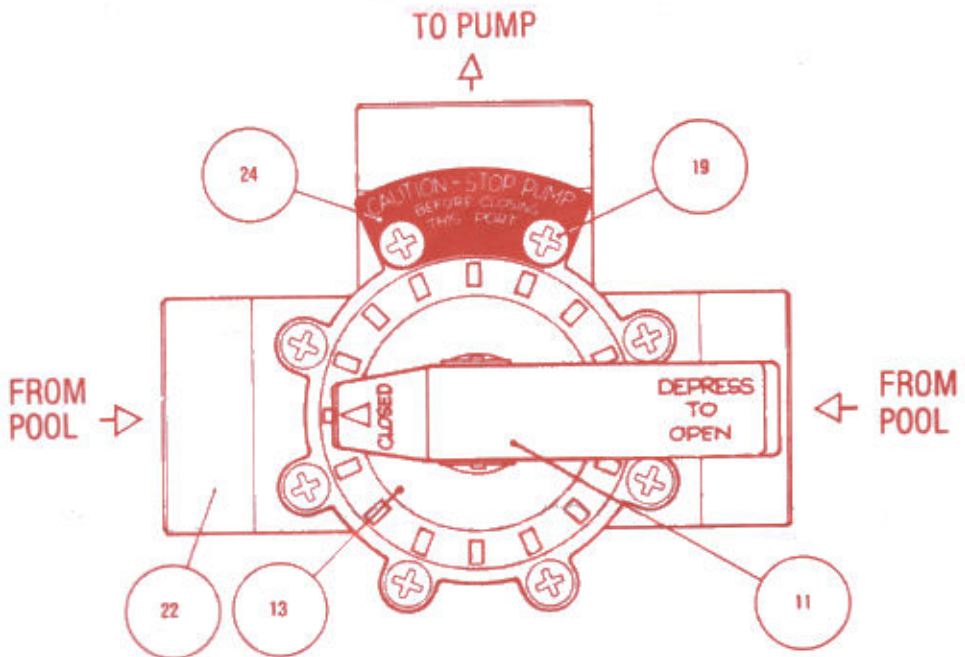
Use only approved PVC or ABS pressure pipe adhesive carefully coating the pipe and valve port.

Avoid excessive adhesive inside the port.

Although stops and a lip are provided to stop excessive adhesive flowing into the valve internals, care is needed. Damage due to adhesive inside the valve is not covered for any warranty.

Observe the manufacturer's instructions for the adhesive used — allow 24 hours for PVC adhesive and 30 minutes for ABS adhesive before testing under pressure.

### "CAUTION" Tab



Provided with 3 way valves only. The tab is to be used when a 3 way valve is fitted in the supply line to the pump as follows:

On the port that supplies the pump suction remove screws (19) place the tab (24) on top of the lid aligning the screw holes.

Replace the screws being careful to engage the thread in the valve body before using a screw driver. Tighten to firmly hold the tab and lid.

The CAUTION tab is used at the discretion of the fitter and can be fitted to any of the three ports.

The function of the CAUTION tab is to remind the user to stop the pump before closing that port and possibly starving the pump of water. The valve remains fully functional with the tab in place and can be used as an isolating valve during filter and pump servicing.

## SERVICING

All valves are assembled using a silicone grease.

A valve that is used often will operate freely with the water acting as a lubricant. However valves left for long periods may experience some initial sticking and should be serviced using silicone grease. **DO NOT USE PETROLEUM BASED PRODUCTS.**

## SPARES

All spares are available from your supplier. Please quote the part number listed for prompt service.