

Argonaut

Swimming Pool Pump

Argonaut Pump



The New Generation of Swimming Pool Pumps

Your best choice for small to medium sized pools. Incorporating many technical features that ensure high performance, durability and reliability.

Mechanical Seal
 The seal fitted on the Argonaut Pool Pump is suitable for a wide range of applications including chlorine, bromine, iodine and sea

water (if flushed through with fresh water on shut down).

Shaft
 Stainless steel AISI 316.

Modern compact design

Polypropylene tank high chemical resistance

1 & 3-phase plus 2-speed version

Maintenance friendly

Self priming up to 3m

Clear tank cover and large strainer basket

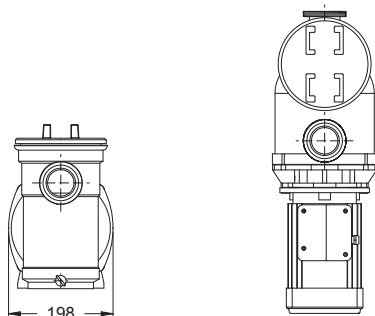
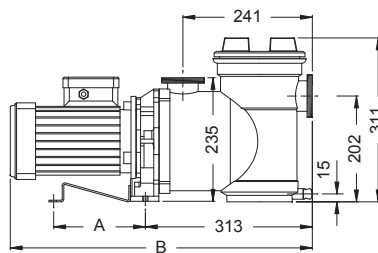
Silent running

Totally enclosed IPX5 motor

2 3/4" BSP thread on both inlet and outlet

Argonaut Dimensions

1-Phase	A	B
AV50-2DN-S	144	533
AV75-2DN-S	164	533
AV100-2DN-S	164	533
AV150-2DN-S	164	561
AV200-2DN-S	174	561
AV250-2DN-S	174	564
1-Phase / 2-Speed		
AV150-2DZ-S	174	566
AV200-2DZ-S	174	578
AV250-2DZ-S	174	580
3-Phase		
AV50-3DN-S	144	527
AV75-3DN-S	164	533
AV100-3DN-S	164	533
AV150-3DN-S	164	563
AV200-3DN-S	174	563
AV250-3DN-S	174	578

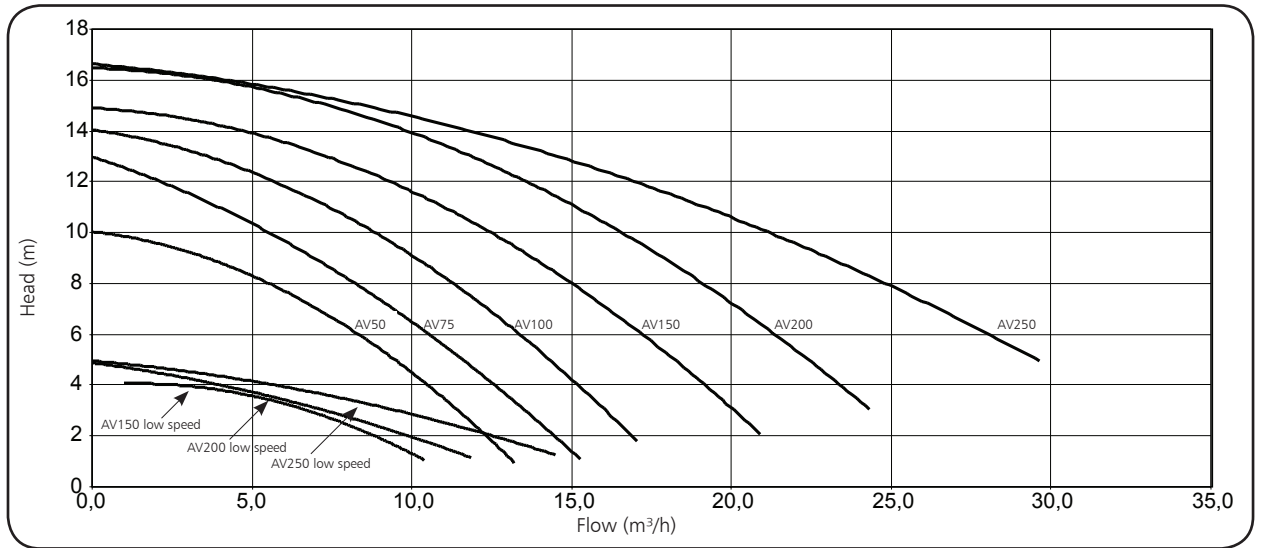


All dimensions in mm.

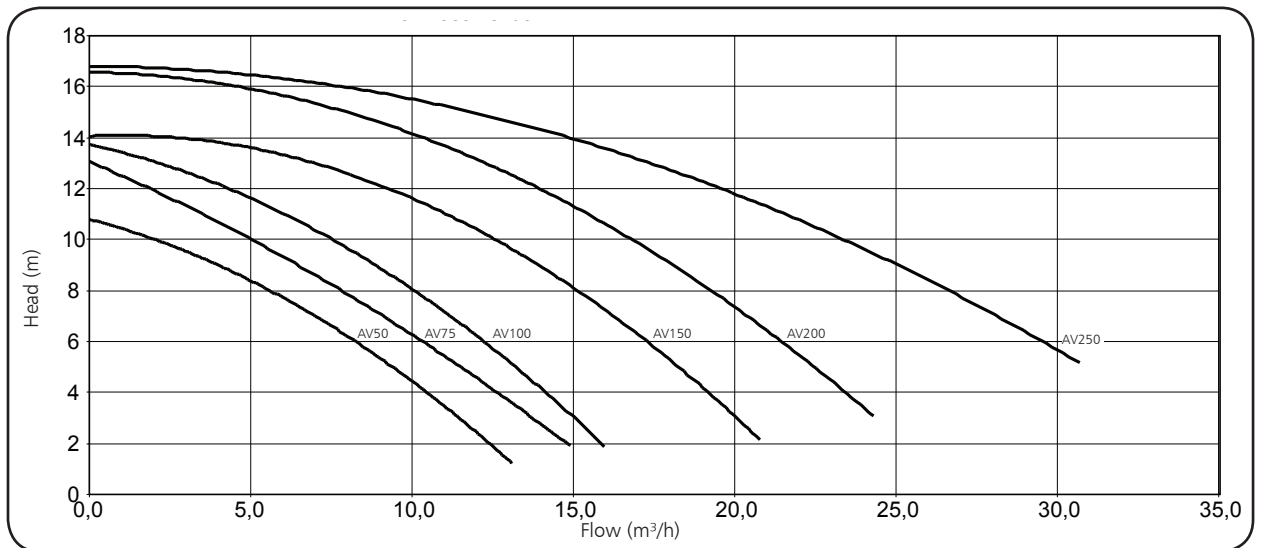
HydroAir

ITT HydroAir

Argonaut 1-Phase Performance Curves



Argonaut 3-Phase Performance Curve



Model Overview

	P1		P2		V/Hz
	kW	HP	kW	HP	
Single Phase					
AV50-2DN-S	0.45	0.60	0.24	0.32	230/50
AV75-2DN-S	0.60	0.80	0.37	0.50	230/50
AV100-2DN-S	0.70	0.94	0.55	0.74	230/50
AV150-2DN-S	1.00	1.34	0.75	1.00	230/50
AV200-2DN-S	1.30	1.74	1.10	1.48	230/50
AV250-2DN-S	1.80	2.41	1.50	2.01	230/50
Single Phase / Two Speed					
AV150-2DZ-S	1.00	1.34	0.75	1.00	230/50
AV200-2DZ-S	1.30	1.74	1.10	1.48	230/50
AV250-2DZ-S	1.80	2.41	1.50	2.01	230/50
Three Phase					
AV50-3DN-S	0.45	0.60	0.24	0.32	400/50
AV75-3DN-S	0.60	0.80	0.37	0.50	400/50
AV100-3DN-S	0.70	0.94	0.55	0.74	400/50
AV150-3DN-S	1.00	1.34	0.75	1.00	400/50
AV200-3DN-S	1.30	1.74	1.10	1.48	400/50
AV250-3DN-S	1.80	2.41	1.50	2.01	400/50

Argonaut Spare Parts

1. Clear lid cover
2. Lid o-ring
3. Strainer basket
4. Tank
5. Drain plug
6. Port o-ring
7. Diffuser o-ring
8. Diffuser

9. Impeller
10. Seal assembly
11. Body o-ring
12. Bracket
13. Motor foot
14. Bracket / foot screw kit
15. Motor
16. Slinger washer
17. Motor-screw kit
18. Fan cover
19. Fan
20. Capacitor