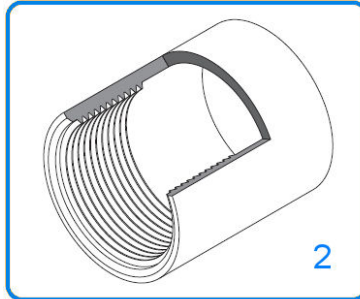
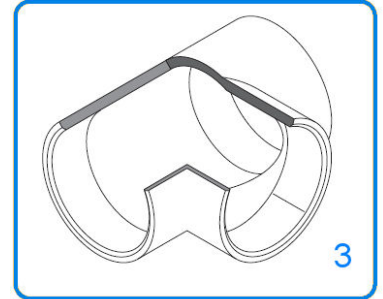


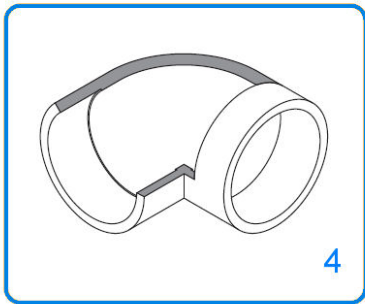
1
 Glued Socket
 Pipe to Pipe



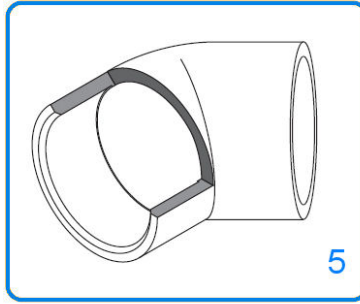
2
 Female Threaded Socket
 to Glued Pipe



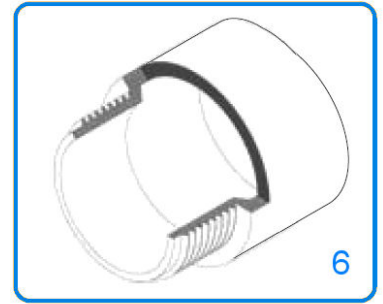
3
 Tee Piece Glued Socket
 Pipe to Pipe to Pipe



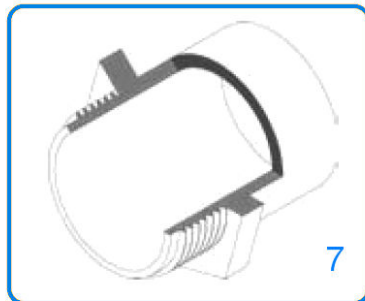
4
 90° Elbow Glued Socket
 Pipe to Pipe



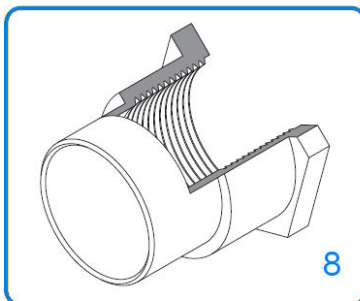
5
 45° Elbow Glued Socket
 Pipe to Pipe



6
 Male Threaded Nipple
 to Glued Pipe Socket



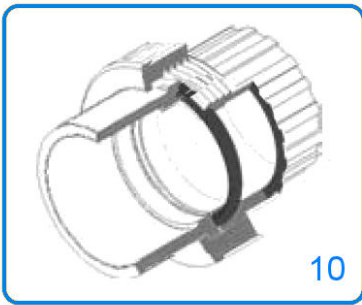
7
 Nipple Male Pipe
 to Male Thread



8
 Male Pipe to Female
 Thread Adaptor

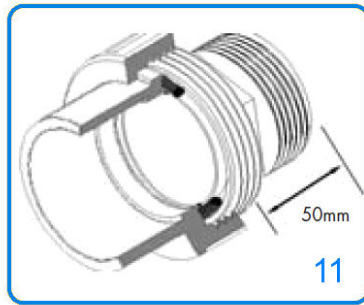


9
 Male Threaded Bung



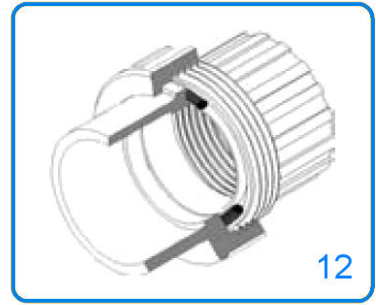
10

Solvent Socket Union
Pipe to Pipe



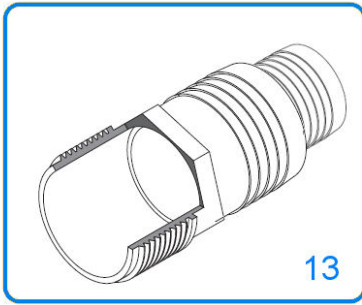
11

Solvent Female Pipe to
Male Threaded Union



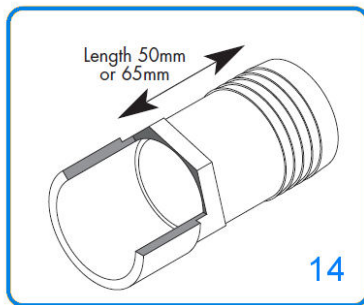
12

Solvent Female Pipe to
Female Threaded Union



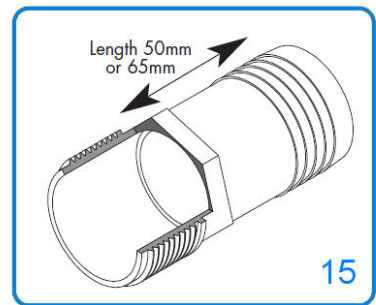
13

Threaded 1.5" - 1.25"
Reducing Hosetail



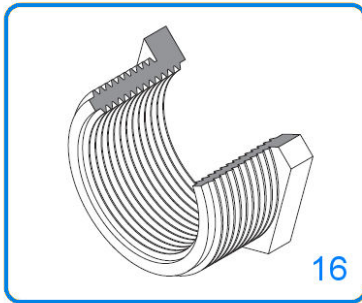
14

Solvent Female Pipe
1.5" Hosetail



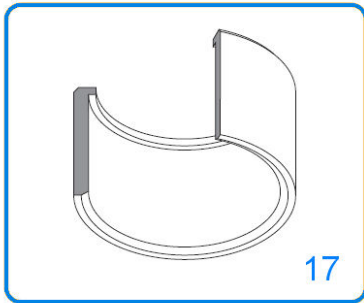
15

Male Threaded
1.5" Hosetail



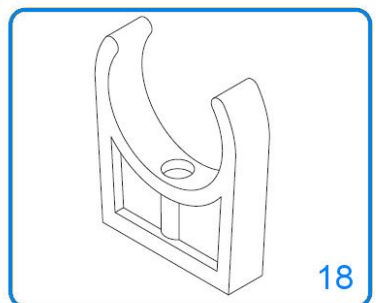
16

2" - 1.5" Threaded
Reducer



17

2" - 1.5" Solvent
Plain Reducer



18

Pipe Clip