

SUPER QUIET



INNOVATIVE POOL PUMP

APPLICATION

Ideal for pool filtration, in-floor pool cleaning systems, connection to external pool controllers, heat pumps and gas heaters. Suitable for pools from 10,000 to 140,000 litres.

DAVEY
ProMaster®

Premium VSD400



HIGH EFFICIENCY, SUPER QUIET, WATER COOLED DESIGN

- > **Programmable boost cycling for every hour of operation**
 - For running the pump at full speed (Boost) for a pre-determined time of operation
 - Improves surface skimming providing for a cleaner pool
 - Ideal for in-floor, pop up, cleaning systems
- > **Constant flow/speed compensation**
 - Helps to overcome friction losses experienced as debris builds up in your filter
 - Saves money on energy running costs
- > **Weatherproof RJ45 communication port**
 - For speed adjustment via connection to an external pool controller, gas heater or heat pump
- > **Backwash speed cycling technology**
 - For effective media cleaning and reducing waste water when backwashing



Depend on Davey

DAVEY

ProMaster

Premium VSD400 Pool Pump



Large 4.5 litre lint pot provides for longer intervals between cleaning

Weatherproof RJ45 communication port for communication & connecting to external pool control systems or pool heaters

Fully variable frequency drive with user friendly selectable speed dial

Multi-coloured LED indicator light for operating conditions and warnings

Loss of prime protection to protect the pump when there is no water inside the pump

Drain plug enables quick draining of the casing for easy removal and maintenance

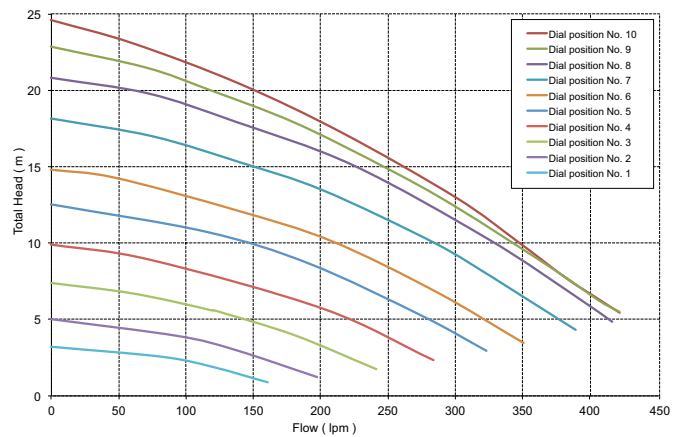
High performance water cooled motor for super quiet, efficient use all year round

ELECTRICAL DATA

Voltage (V)	240
Supply frequency (Hz)	50
Motor input power (W/hp)	120W/0.16hp @ Dial 1 660W/0.85hp @ Dial 5 1,630W/2.2hp @ Dial 10 Variable speed @ Backwash
Motor speed (rpm)	1,050 to 3,100
Backwash (rpm)	Variable speed
Enclosure class (IP)	45
Insulation class	F
Power lead length	3m
Approval No.	SGS-150025-EA

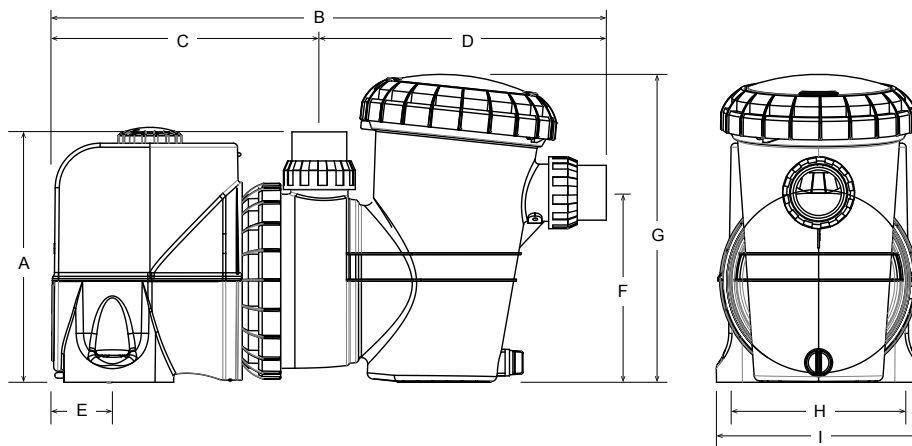
OPERATING LIMITS	Max. water temperature	Max. ambient temperature
	40°C	50°C

HYDRAULIC PERFORMANCE



DIMENSIONS (mm)

Model	A	B	C	D	E	F	G	H	I	Mounting Holes Diameter	Inlet/Outlet PVC	Net Weight (kg)
PM400PV	305	670	320	350	65	230	380	200	250	10	50	14.5



Depend on Davey