

MAIN DRAIN & FITTINGS

FEATURES

- High Flow - Low Velocity grille supplied as standard
- Provides up to 50% more free flow area than other models
- Anti-vortex design
- Protective film prevents damage during installation
- Stainless steel grille available
- Square frame and grille range available for commercial installations



Certikin's unique main drain grille combines optimum safety with unsurpassed flow rates. It's design is a result of Certikin's continuing commitment to manufacturing the best quality swimming pool equipment in the world.

MAIN DRAIN & FITTINGS

Main Drain HD33 (concrete) HD33L (liner)

Featuring Certikin's unique grille design and available for concrete or liner pools the HD33 drain is used to draw the base water for filtering and is also used as the principal method of emptying the pool. Both concrete and liner types come complete with self-tapping fixings screws for added safety. Manufactured in white ABS.

CK33G Stainless Steel Grille

For shallow learner and plunge pools where direct foot contact is made with the pool floor. Supplied as a kit to fit directly on standard HD33 or HD33L sump pot.

Hydrostatic Relief Valve

CK34 (heavy brass body) HD34 (plastic body)

Use of a hydrostatic relief valve helps to avoid possible damage to an empty pool if the water table rises above the level of the pool floor.

HD35 Collection Tube

Works in conjunction with the CK/HD34 to collect water from the underside of the pool floor.

CK/HD36 Main Drain Frame and Grille

Available in stainless steel (CK36) or in plastic (HD36) the square frames and grilles are suitable for use in larger pools where more flow is required.

HD9 Reducing Bush

2" x 1.5" BSP plastic threaded reducing bush is available to convert 2" threaded side outlet to 1.5".

SPC266N High Flow Low Velocity Grille

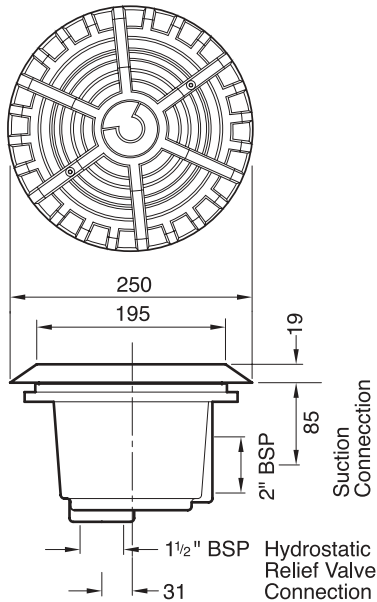
Suitable for fitting to existing Certikin 6" main drains as a replacement for the old-style grille.

SPC266 Old Grille

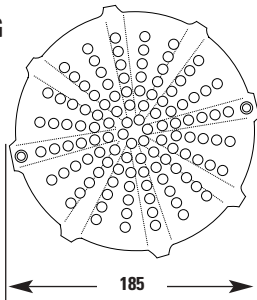
Old grille available as a spare for existing main drain installations.



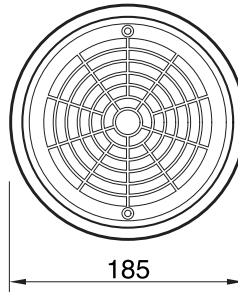
HD33 /
HD33L



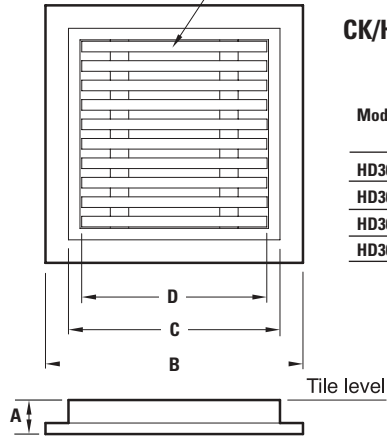
CK33G



SPC266
(old grille -
available as
spare only)

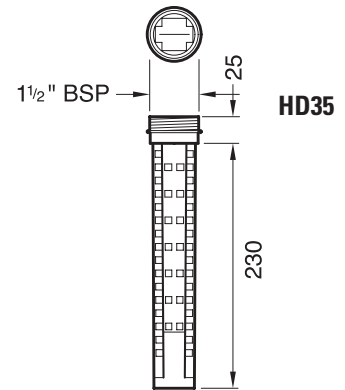


Removable grille



CK/HD36

Model	Nominal size	A mm	B mm	C mm	D mm
HD368	8" x 8"	40	302	227	200
HD3612	12" x 12"	40	400	325	275
HD3618	18" x 18"	40	560	485	415
HD3624	24" x 24"	40	710	636	560



MAIN DRAIN SELECTION

Velocity of swimming pool main sump water should not exceed 1ft per second (0.3m/s).

When choosing sump size always assume that **total flow may be directed to the plant room via the sump(s)** – sump size should be chosen accordingly.

Example

Pool volume = 400m³

$\pi O = 6$ hrs

\therefore Circulation flow = 67m³/hr

\therefore Sump size should be 18" x 18".

In normal conditions flow will be divided between surface draw-off and sump(s) in ratio:

30%: Surface : 70% sump – Skimmer/Gutter Drain

50% Surface : 50% sump – Deck Level.

RECOMMENDED MAXIMUM FLOW RATES

Model	Nominal Size	Flow Area (mm ²)	Max Flow (m ³ /h)
HD33/HD33L	6" \varnothing	16818	18
CK33G	6" \varnothing	9069	10
SPC266	6" \varnothing	11312	12
CK/HD368	8" x 8"	25620	28
CK/HD3612	12" x 12"	53870	48
CK/HD3618	18" x 18"	113548	122
CK/HD3624	24" x 24"	139200	150

Important - Main drains must be arranged so that there is no risk of bathers being drawn towards them or trapped there. It is recommended that on all installations, including domestic, a minimum of 2 x main drains are installed.

