

**GENIE DUAL CONDENSING  
 GAS POOL HEATERS**

MB36D



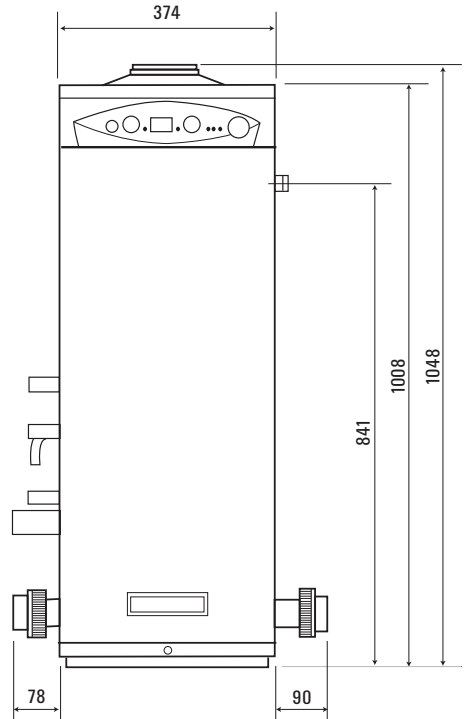
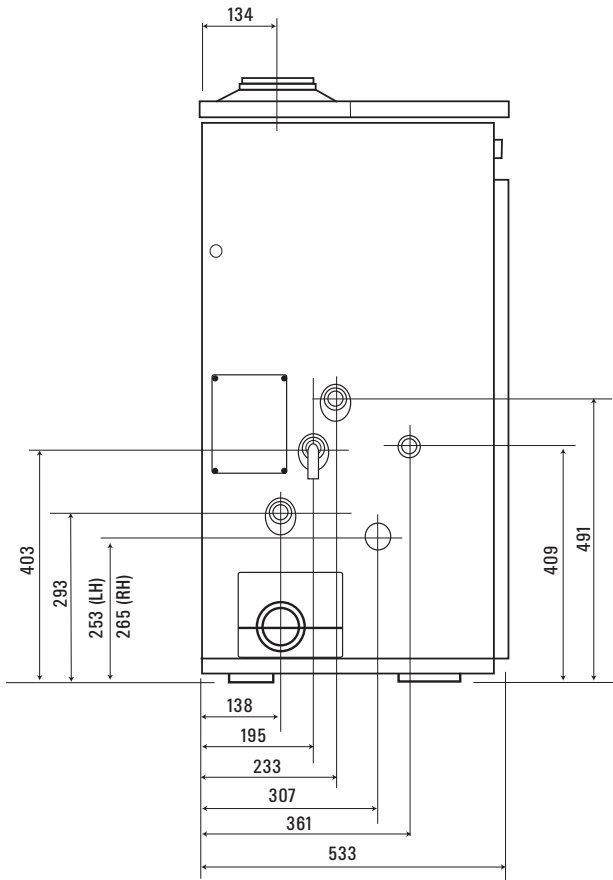
**FEATURES**

- 36kW output for pool heating
- 18kW output for domestic heating system
- Only one unit to stock for either natural or LPG - supplied natural gas with conversion kit to LPG included
- Tamper proof lockable pool temperature display in °C or °F
- Up to 94% condensing efficiency equivalent to SEDBUK A
- Running costs reduced by up to 30%
- Environmentally friendly
- Modulating output for accurate temperature control and increased efficiency
- IP44 for indoor or outdoor installations
- Quiet running
- Lightweight compact design
- Pool connection left to right OR right to left
- Simple condensate disposal connections left or right side
- Plastic flue kits, push fit horizontal and / or vertical up to 20 metres
- Honeywell controls
- Multiple heater kit options up to 400kW output (8 heaters)
- Wall mounting kit available
- Commissioning / Diagnostic display with service required indicator
- Suitable for salt chlorinated pools

*The Certikin Genie Dual gas condensing pool heater uses the latest technology to provide efficient and rapid heating for both the swimming pool and a heating system such as radiators, hot water or dehumidifiers with air heater batteries.*



**Manufactured  
 in the UK**



The all new Genie 36 Dual features all the benefits of the Genie S range such as up to 94% efficiency, running costs reduced by around 30% compared to conventional gas fired pool boilers, suitable for salt chlorinated pools and plastic push-fit flues but also features connections and boiler controls for heating systems such as radiators, showers via DHW cylinders or dehumidifiers with air heater batteries.

Available with 36kw (123,000btu) output, the Genie 36 Dual is suitable for heating the majority of domestic pools or if required more than one unit can be coupled together to produce higher output.

With 18kW available for domestic heating systems the pool hall or changing facilities will be easily heated to the customers requirements.

