



# **SOLAR POD PLUS POOL HEATER OWNER'S MANUAL**



**IMPORTANT SAFETY RULES**  
Read all instructions **BEFORE** assembling and using  
this product. **KEEP THIS MANUAL.**

Your Solar Pod Plus Heater has been engineered and manufactured to our highest standard for dependability, ease of operation and safety. With proper care, it will give you years of durable, trouble-free performance.

## TABLE OF CONTENTS

1.	<b>Safety Warnings</b> .....	2
2.	<b>General Information</b> .....	3
	How It Works .....	3
	Unpacking Your Solar Pod Plus.....	3
	Tools & Equipment Required .....	3
	Know Your Pool .....	4
	Solar Heater Location .....	4
	Connecting Multiple Units.....	4
3.	<b>Parts List/Reference</b> .....	4
4.	<b>Installation Instructions</b> .....	5
	Solar Pod Plus – Filter – Pool Layout.....	5
	Solar Pod Plus – Pool Connections.....	6
	• Pools with 1½" Diameter Hoses .....	6
	• Pools with 2¼" Diameter Threaded Connections .....	6
5.	<b>Initial Operation</b> .....	7
6.	<b>Maintenance</b> .....	7
7.	<b>Troubleshooting</b> .....	8

**READ ALL INSTRUCTIONS BEFORE ASSEMBLING AND USING THIS PRODUCT. FAILURE TO FOLLOW INSTRUCTIONS CAN CAUSE INJURY.**

---

### CAUTION

This heading is used when injury, accidents or damage to the device or the operator may occur if the operating instructions, work instructions, work procedures, etc. are NOT strictly adhered to.

---

## 1. SAFETY WARNINGS

**READ ALL WARNINGS BELOW. FAILURE TO DO SO COULD RESULT IN SERIOUS PERSONAL INJURY OR DEATH.**

- Carefully read and adhere to all CAUTION and NOTE notices located throughout this manual.
- Do NOT allow children to operate this product.
- Always turn the filter system to a setting that does not allow flow to the pool return when installing or working on the solar heater.
- Install product away from the pool to prevent children from using the heater as a way to access the pool.
- NEVER service this unit with the pool pump running.
- Do not use any petroleum based lubricant. Petroleum based products will destroy plastic parts.

**THESE CAUTION WARNINGS ARE NOT INTENDED TO INCORPORATE ALL POSSIBLE INSTANCES FOR RISK AND/OR SEVERE INJURY. THE POOL OWNER SHOULD ALWAYS EXERCISE CAUTION AND COMMON SENSE WHEN UTILISING THEIR SWIMMING POOL AND OPERATING EQUIPMENT.**

## 2. GENERAL INFORMATION

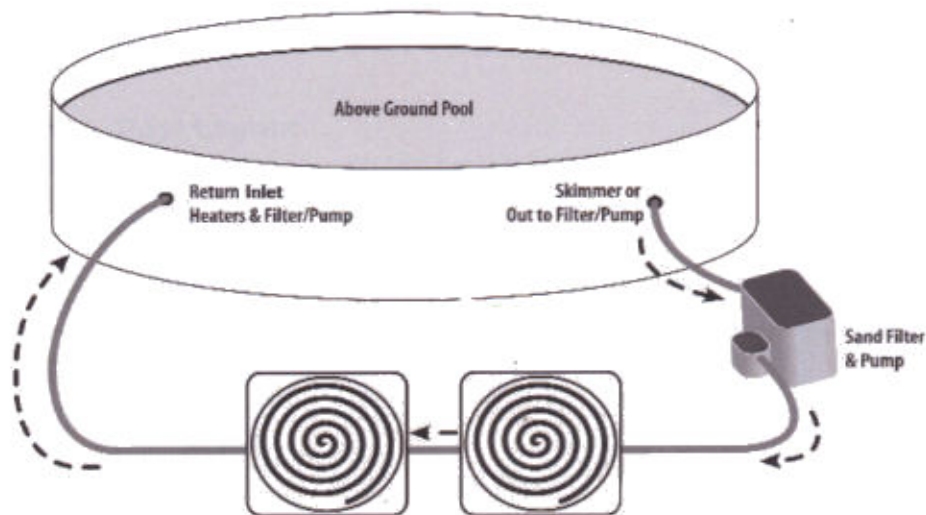
This manual provides information relating to the installation, utilisation and maintenance of your Solar Pod Plus. We recommend you read this manual in its entirety and keep it for future reference.

The Solar Pod Plus heater you have purchased for your above ground pool is simple to install and effortless to operate once connected. The installation instructions included in this manual are based on a few assumptions: 1) you have an existing above ground pool that is completely set up and filled with water, 2) your above ground pool is equipped with a pump-operated water filtering system, and 3) you have the necessary hoses needed to feed water in and out of your pool and filter system.

These assumptions are necessary as the Solar Pod Plus, once installed, will be completely dependent upon your pool's filter pump to push water in and through the heater's solar coils.

### How It Works

When properly installed, the Solar Pod Plus will be connected to your filter and your pool by two hose connections: One hose will feed cold, filtered pool water from your pump into one port of the Solar Pod Plus. The other hose will feed sun warmed water from the other port of the Solar Pod Plus to your pool via the pool's return inlet. As cold water is fed into the Solar Pod Plus, it travels through the solar coils where it is heated by the sun before it is delivered back into your swimming pool.



### Unpacking Your Solar Pod Plus

Carefully remove the product and all component parts from the box. Make certain all parts are present before beginning assembly. (See Section 3, Parts List/Reference).

### Tools & Equipment Required

The following items are not included with your new Solar Pod Plus, but will be required for proper installation and operation:

- #2 Phillips screwdriver
- ¼" Flat head screwdriver
- Silicone based lubricant

## Know Your Pool

Before you begin installation it is a good idea to know certain specifications about your pool:

How big is your pool?

How many gallons does it hold?

What size hose does it use?

What kind of hose connection does your pool use? (i.e. threaded/unthreaded)

What location will position the heater for maximum sun exposure?

## Solar Pod Plus Heater Location

Your Solar Pod Plus needs to be located on a hard level surface. The unit(s) may be angled toward the sun using the legs provided. Do not exceed the angle the legs produces, or 30 degrees from horizontal in any direction.

**NOTE: The Solar Pod Plus is to be installed between the filter and the pool water return inlet, AFTER the water is filtered. The unit must come after the filter to prevent blockages in the tubing.**

---

---

### CAUTION

Before loosening any threaded connections on your filter, pump or pool, be sure that the suction and pressure hoses on the filter are closed or blocked to prevent water flow.

---

---

## Connecting Multiple Units

The hose for a multiple unit installation MUST be at least 1½" diameter. If you require further information regarding the installation of multiple Solar Heaters, please see your local swimming pool specialist.

## 3. PARTS LIST/REFERENCE

### Primary Components

MAIN BASE WITH STAND (1)



1½" HOSE GASKET (2)



COLLARED TUBE ADAPTER WITH FLAT GASKET (1)



*Only used with 2¼" diameter threaded hoses*

HOSE CLAMP (2)



LONG HOSE (1)



SHORT HOSE (1)

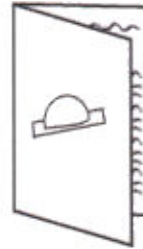


*Only used with multiple unit hook-ups*

CLEAR DOME WITH CLOTH COVER (1)



OWNER'S MANUAL (1)

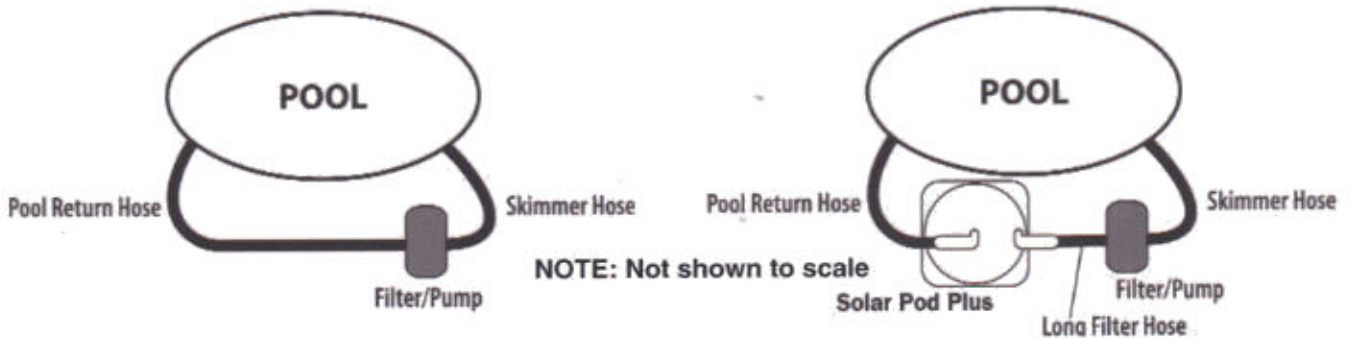


**NOTE:** Some parts may be pre-installed at the factory. Parts are not shown to scale.

## 4. INSTALLATION INSTRUCTIONS

### Solar Pod Plus – Filter – Pool Layout

The system layouts below will help you install the Solar Pod Plus to your above ground pool.



**BEFORE INSTALLING SOLAR POD PLUS**

**AFTER INSTALLING SOLAR POD PLUS**



## Solar Pod Plus - Pool Connections

These instructions assume that the pool and filter system are already assembled and there is a hose attached to the pool return inlet. Place the heater in a location where it will receive the greatest amount of sunlight and at least 10 feet away from pool.

**NOTE: Hose connectors may come preinstalled.**

### 1) Solar Pod Plus - Filter Pump Connection

- A. Turn off filter pump.
- B. Block water flow at both the pool return inlet and the filter pump outlet to prevent water from flowing through the hoses.
- C. Detach the pool return hose from your filter system and set aside.

**NOTE: If you are using an INTEX® filter, remove the hose adapter from the filter port as well.**

- D. Locate the inlet connector and the long filter hose. Attach the long hose between filter outlet (the port where the pool return hose was previously connected) and the inlet connector (located at corner of the Solar Pod Plus) using the included hose clamps (See Figure 2).

**NOTE: Insert the reducer inside of the long filter hose and attach using hose clamp. Apply a small amount of silicon based lubricant to the outside of the side connector to allow an easy fit (See Figure 2).**

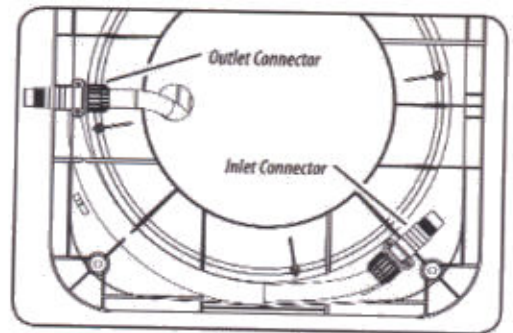


Figure 1

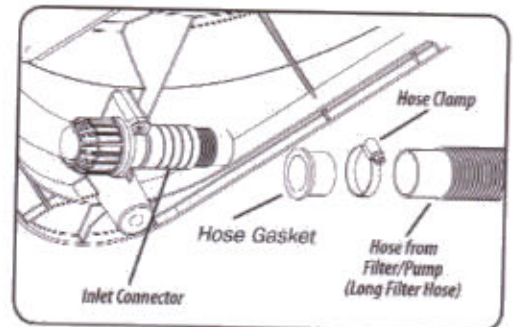


Figure 2

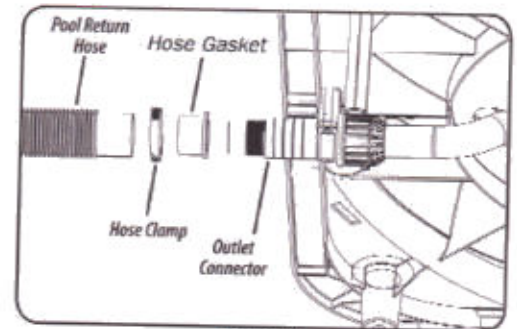


Figure 3

### 2) Solar Pod Plus – Pool Connections

**For Pools with 1½" diameter unthreaded hoses GO TO Step A**  
**For Pools that use 2¼" threaded hoses GO TO Step B**

#### A. Pools with 1½" Diameter Unthreaded Hoses

- 1) Locate the outlet connector on the underside of the Solar Pod Plus.
- 2) Using a hose clamp, secure the loose end of your existing pool return hose to the outlet connector (See Figure 3).

**SKIP B and GO TO 3.**

#### B. Pools with 2¼" Diameter Threaded Hoses

- 1) Attach the collared tube adapter with o-ring to the central hose connector under the base. Make sure the o-ring is in the collared tube adapter prior to attachment (See Figure 4).
- 2) Screw existing pool return hose onto the collared tube adapter. **Be sure to place the flat gasket between the hose and the adapter for a tight seal.**

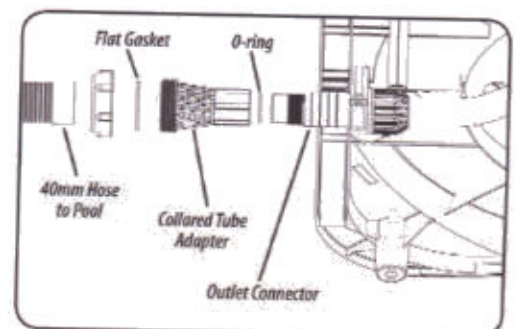


Figure 4

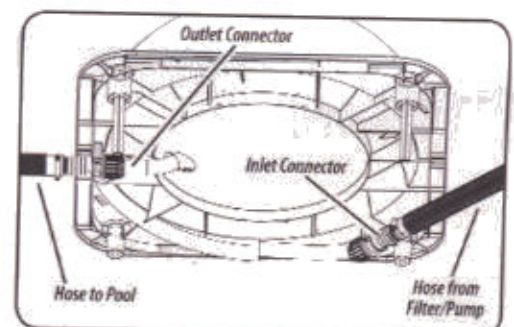


Figure 5

### 3) Solar Pod Plus Heater Placement

Extend the two legs on the underside of the heater and face the heater in the direction of the sun's natural path.

### 4) Solar Heater System

The basic Solar Pod Plus assembly should resemble the set in figure 5.

**NOTE: If solar heater needs to be further from the filter than the hoses allow, you may need to purchase a longer hose with the 1½" diameter openings. A 1½"-1½" coupler is needed to allow you to connect an additional hose if necessary (not included). In this case make certain you have two hose clamps to secure the hoses to the coupler. If using 2¼" threaded connections you may, depending on configuration, require additional installation kits and hoses. Consult your local dealer.**

---

#### CAUTION

Ensure ALL hose connections are tight and the hoses are NOT kinked or bent at severe angles. If the hoses are leaking, check to make sure ALL of the parts that have o-rings have them attached and are screwed on tightly. DO NOT over tighten hose clamps.

---

**NOTE: The short hose is only used to connect multiple solar heaters together.**

## 5. OPERATION

Once the Solar Pod Plus has been assembled and the hoses are connected to the filter pump and pool return, unblock the flow of water into the pool return hose and turn on the pump and filter system. Bubbles will shoot out of the return inlet into the pool initially while air is pushed out of the Solar Pod Plus. If this persists for longer than 2 or 3 minutes, check for and repair any leaks in the hoses or connections.

Your Solar Pod Plus should be operated continuously between 10am and 6pm to ensure maximum heat gain. For best results your pool filtration pump should be controlled by a timer switch to operate between these hours.

**NOTE: Be sure to place your pool cover on at night to prevent heat loss. The Solar Pod Plus has been designed to heat the pool water in conjunction with a pool solar cover.**

## 6. MAINTENANCE

To prevent damage, the solar coils should always be covered with the clear acrylic dome included in the package. The Solar Pod Plus should not require servicing or maintenance other than winterising. Prior to the first frost, or at the end of your swim season, the solar heater should be removed from its connections to the pool and stored in a frost free location.

#### Cloth Cover:

A dome cover is included which can be used to cover the solar heater during the hottest days when your pool water does not need additional heating assistance.

#### Winterising:

Drain all the water from the Solar Pod Plus by disconnecting the tubes. Store in a location protected from frost. Reconnect the pool return tubes with a 1½"-1½" coupler (not included) or any properly sized 2-way valve if continued pool use is desired.

---

#### CAUTION

Do NOT allow standing water inside the Solar Pod Plus heater to freeze. Water expands as it freezes and can rupture the solar coils.

---

## 7. TROUBLESHOOTING

### Problem

### Possibilities/Solutions:

<p>1) The item does not appear to be heating the pool.</p>	<ul style="list-style-type: none"> <li>• Check to make sure that water is flowing through the tubes. Check the flow strength at the pool inlet.</li> <li>• Has it been sunny?</li> <li>• Put your pool cover on at night to prevent heat loss.</li> <li>• Additional heaters may be necessary.</li> <li>• Ensure that the Solar Pod Plus is operating between 10am and 6pm</li> </ul>
<p>2) There is no initial bubbling after heater is connected and pump is on.</p>	<ul style="list-style-type: none"> <li>• Check the setting of the filter to make sure it is returning water to the pool through the pool water inlet.</li> <li>• Check flow rate.</li> </ul>
<p>3) Bubbles continue to flow out of the pool water inlet well after the pump has been turned on.</p>	<ul style="list-style-type: none"> <li>• Check the connections for a suction leak.</li> <li>• Check to make sure the flow rate is normal.</li> <li>• There could be a break in the tubing.</li> <li>• There could be a clog in the tubing, try to purge out the clog.</li> </ul>
<p>4) Leaking heater</p>	<ul style="list-style-type: none"> <li>• Check the connector seals and replace or repair if defective.</li> </ul>

