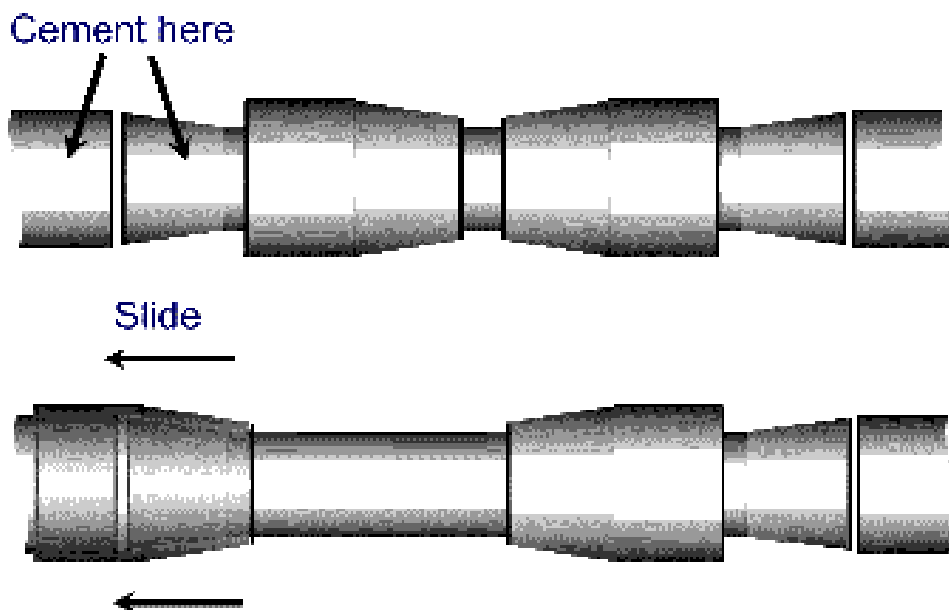


## Anderson Kwik-Repair Fittings

Kwik-Repair makes installation or repair of PVC lines faster, easier, and more cost efficient by requiring just one fitting. By using innovative tapered sleeves which slide onto the pipe, repairs can be made without bending or flexing of the existing pipe

### To Install

1. Use fitting as template and cut away damaged section.
2. Dry-fit Kwik-Repair into opening.
3. Slide one sleeve back to apply ample PVC Primer and cement on both the tapered portion of fitting and end of pipe, slide sleeve forward with turning motion until point of arrow is visible. Repeat until all sleeves are glued into position.



Kwik-Repair Coupler



Kwik Repair Elbow



Kwik-Repair Tee